

RENTAL BICYCLE INITIAL SETUP FORM

Please complete and return with your booking information prior to your arrival.



RIDER NAME: _____

In order to properly set up your rental bicycle for your visit to Grenier des Alpes, please fill out the following information as completely as possible. We will use this information to prepare your bike prior to your arrival. When you arrive we can make any final adjustments as necessary.

CURRENT BICYCLE INFO/GEOMETRY

Make/Model: _____

Please refer to manufacturer geometry chart for the following:

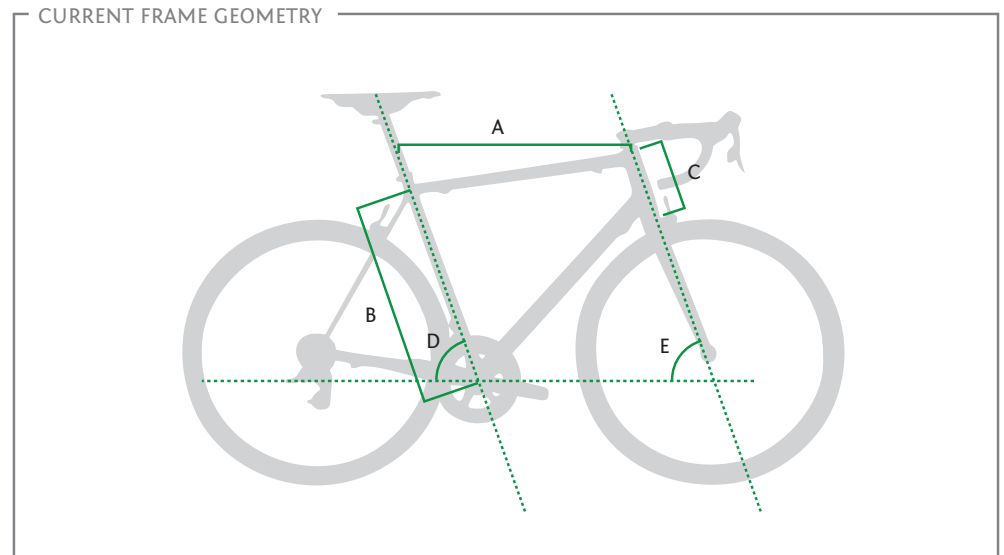
A: Effective Top Tube Length _____

B: Seat Tube Length _____

C: Head Tube Length _____

D: Seat Tube Angle _____

E: Head Tube Angle _____



CURRENT BICYCLE FIT MEASUREMENTS

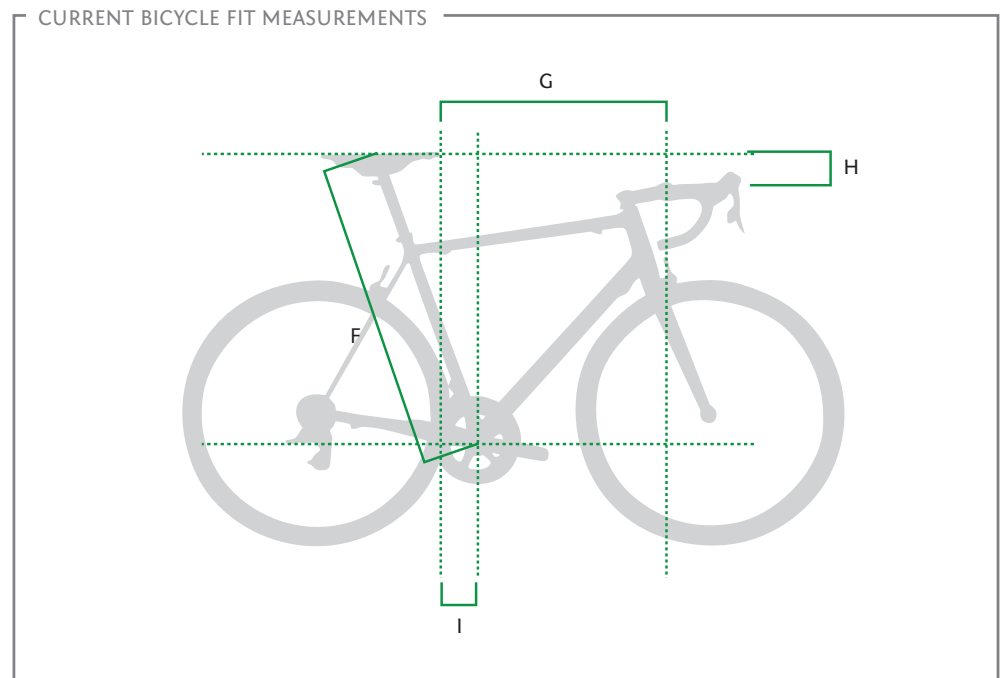
Please measure your current bicycle as accurately as possible. Please provide measurements in CENTIMETERS.

F: Saddle Height _____
(center of bottom bracket to top of saddle at mid-point)

G: Reach _____
(tip of saddle nose to center of handlebar)

H: Drop _____
(difference in height between top of saddle and top of bar)

I: Saddle Setback _____
(distance from tip of saddle to center of bottom bracket)



OTHER

Handlebar Width: _____
(measured center to center)

Saddle Make/Model: _____

Crank Length: _____